

DESCRIPTION

- Manufactured from 18 gauge, stainless steel
- Overall sink dimension 33" x 22"
- Bowl Left: 14" x 18" x 9"
- Bowl Right: 14" x 16" x 9"
- 3-1/2" diameter recessed drain opening in each bowl
- Soundshield™ undercoating maximizes sound deadening and inhibits condensation
- QuickMount™ mounting hardware for top-mount installation
- Under-mount installation clips not included
- Cut out dimensions are 32-3/8" x 21-3/8", with a 3/8" corner radius (top mount)
- Cut out profile is shown on included template (under mount)
- QuickMount™ hardware can be installed on a deck thickness of 5/8" to 1-5/8"
- A tolerance of plus/minus 1/16" is acceptable

STANDARDS

- Third party certified by IAPMO to meet ASME A112.19.3/CSA B45.4 and all applicable specifications referenced therein

WARRANTY

- Lifetime limited warranty against material or manufacturing defects to the original consumer purchaser
 - 10 year limited warranty when used in a multifamily installation
 - 5 year limited warranty when used in a commercial installation
- Visit www.moen.com/support for complete details and limitations

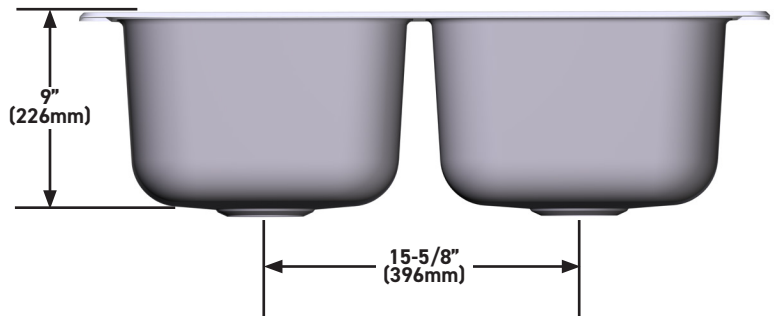
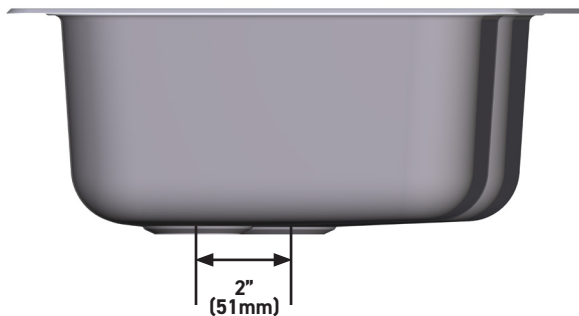
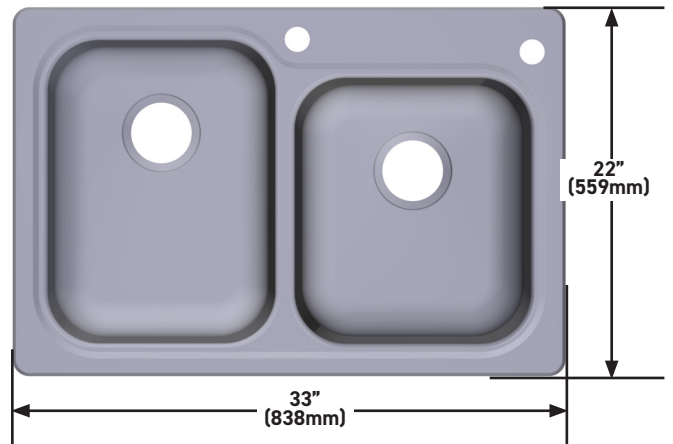
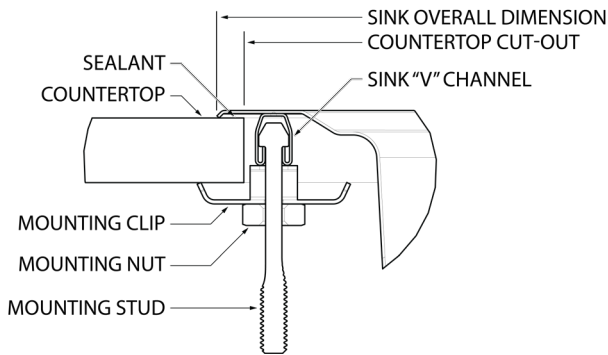


STAND-ALONE

Offset Double Bowl Sink

MODELS: 216004

INSTALLATION DETAIL



CRITICAL DIMENSIONS DO NOT SCALE